

Product Brief

Solder Bond Modules

Thyristor/diode modules in solder bond technology
 1600 V/20 mm, 1600 V/34 mm, 1600 V/50 mm (TT, TD and DD topologies)

With our 20 mm, 34 mm and 50 mm bipolar modules in solder bond technology, we have developed a cost and performance optimized alternative to pressure contact technology. Typical applications for the modules are drives, power supplies and welding. All modules in solder bond technology are offered in topologies thyristor/thyristor, thyristor/diode & diode/diode with blocking voltage of 1600 V and in current ranges from 55 A to 330 A. Additional blocking voltage of 1800 V and 2200 V will be the next development step.

General features

- > Solder bond technology
- > Industrial standard package
- > Electrically insulated base plate

Key benefits

- > Cost and performance optimized
- > One supplier for a broad range of bipolar modules
- > Profit from over 20 years of expertise in IGBT soldering and bonding
- > Fast and extensive technical support

Key features

- > Blocking voltage $V_{\text{DRM}} = V_{\text{RRM}} = 1600 \text{ V}$
- > Average current 55 - 330 A
- > Surge current 1500 - 9500 A
- > Weight 75/165/370 g
- > Housing dimensions
 - 20 mm: L 94 mm, H 30 mm, W 20 mm
 - 34 mm: L 94 mm, H 30 mm, W 34 mm
 - 50 mm: L 94 mm, H 53 mm, W 50 mm

Applications

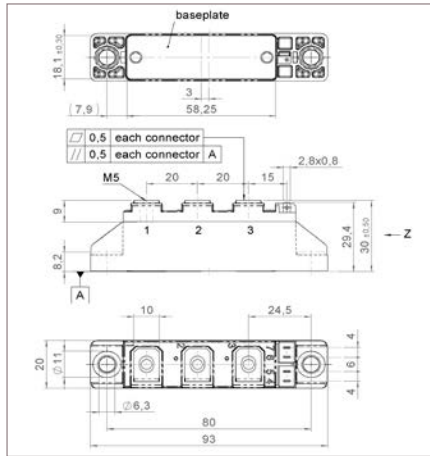
- > Drives
- > Soft starters
- > Power supplies
- > Welding
- > Static switches
- > Battery chargers



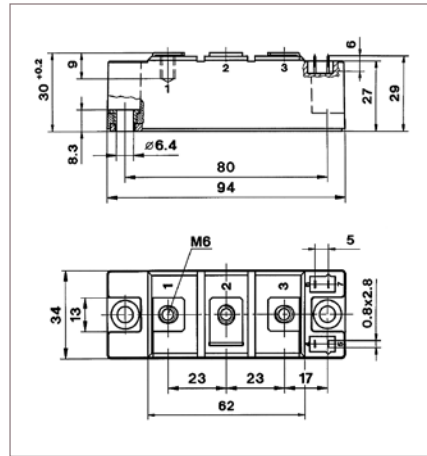
Solder Bond Modules

Thyristor/diode modules in solder bond technology
 1600V/20 mm, 1600V/34 mm, 1600V/50 mm

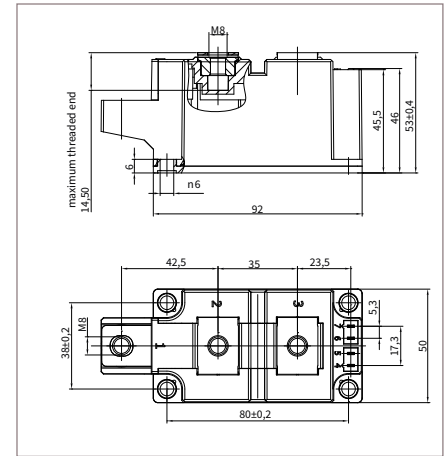
TT/TD and DD
 outline dimensions 20 mm



TT/TD and DD
 outline dimensions 34 mm



TT/TD and DD
 outline dimensions 50 mm



Sales Information

Sales product	Housing	V _{DRM} / V _{RRM}	I _{TAVM}	I _{TSM}
Thyristor modules				
TT60N16SOF	20 mm	1600V	55 A	1500 A
TT120N16SOF	20 mm	1600V	120 A	2250 A
TT160N16SOF	34 mm	1600V	160 A	5200 A
TT190N16SOF	34 mm	1600V	190 A	5200 A
TT280N16SOF	50 mm	1600V	280 A	9000 A
TT320N16SOF	50 mm	1600V	320 A	9500 A
Rectifier diode modules				
DD100N16S	20 mm	1600V	130 A	2500 A
DD180N16S	34 mm	1600V	180 A	6600 A
DD340N16S	50 mm	1600V	330 A	10000 A

Sales product	Housing	V _{DRM} / V _{RRM}	I _{TAVM}	I _{TSM}
Thyristor / diode modules				
TD60N16SOF	20 mm	1600V	55 A	1500 A
TD120N16SOF	20 mm	1600V	120 A	2500 A
TD160N16SOF	34 mm	1600V	160 A	5200 A
TD190N16SOF	34 mm	1600V	190 A	5200 A
TD280N16SOF	50 mm	1600V	280 A	9000 A
TD320N16SOF	50 mm	1600V	320 A	9500 A

Published by
 Infineon Technologies Bipolar GmbH & Co. KG
 Max-Planck-Str. 5
 59581 Warstein
 Tel. +49 (0) 2902 98 99-0
 Fax +49 (0) 2902 98 99-2482
 HRB 8147

© 2016 Infineon Technologies Bipolar GmbH & Co. KG.
 All Rights Reserved.

Visit us:
www.ifbip.com | www.ifbip-shop.com

Order Number: B157-H9790-V4-7600-EU-EC-P
 Date: 05/2016

Please note!

THIS DOCUMENT IS FOR INFORMATION PURPOSES ONLY AND ANY INFORMATION GIVEN HEREIN SHALL IN NO EVENT BE REGARDED AS A WARRANTY, GUARANTEE OR DESCRIPTION OF ANY FUNCTIONALITY, CONDITIONS AND/OR QUALITY OF OUR PRODUCTS OR ANY SUITABILITY FOR A PARTICULAR PURPOSE. WITH REGARD TO THE TECHNICAL SPECIFICATIONS OF OUR PRODUCTS, WE KINDLY ASK YOU TO REFER TO THE RELEVANT PRODUCT DATA SHEETS PROVIDED BY US. OUR CUSTOMERS AND THEIR TECHNICAL DEPARTMENTS ARE REQUIRED TO EVALUATE THE SUITABILITY OF OUR PRODUCTS FOR THE INTENDED APPLICATION.

WE RESERVE THE RIGHT TO CHANGE THIS DOCUMENT AND/OR THE INFORMATION GIVEN HEREIN AT ANY TIME.

Additional information

For further information on technologies, our products, the application of our products, delivery terms and conditions and/or prices, please contact your nearest Infineon Technologies office (www.infineon.com).

Warnings

Due to technical requirements, our products may contain dangerous substances. For information on the types in question, please contact your nearest Infineon Technologies office.

Except as otherwise explicitly approved by us in a written document signed by authorized representatives of Infineon Technologies, our products may not be used in any life-endangering applications, including but not limited to medical, nuclear, military, life-critical or any other applications where a failure of the product or any consequences of the use thereof can result in personal injury.