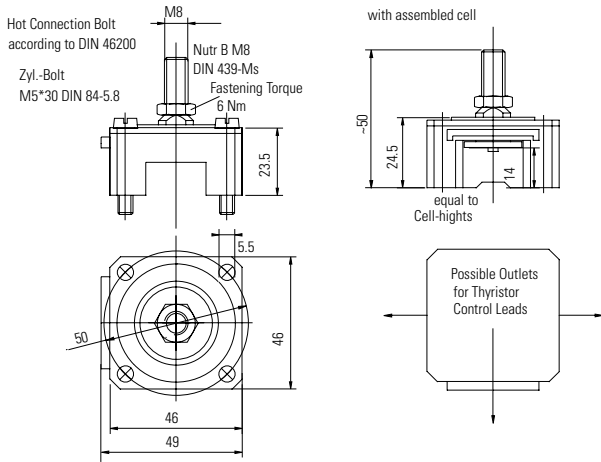
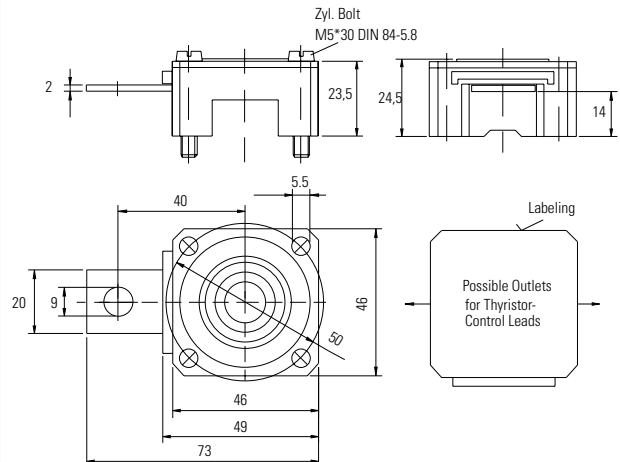


V50..M



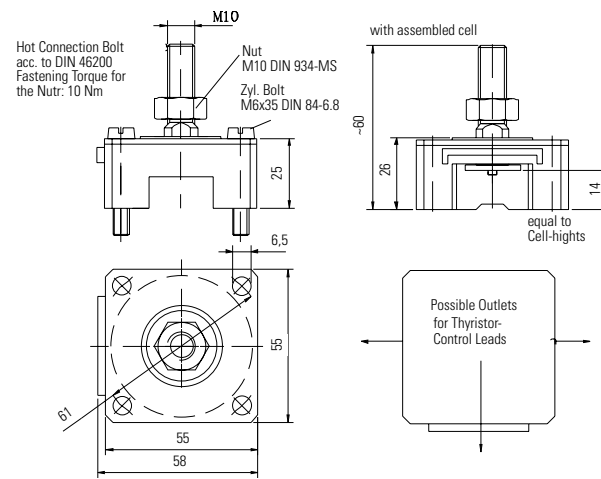
| type designation | ordering code | clamping force [kN] | suitable for Ø [mm] housings | height [mm] | minimum creepage [mm] distance |
|------------------|---------------|---------------------|------------------------------|-------------|--------------------------------|
| V50-14.45M | SP000096563 | 4.5 | 42 | 14 | 11 |
| V50-14.60M | SP000096564 | 6.0 | 42 | 14 | 11 |

V50..N



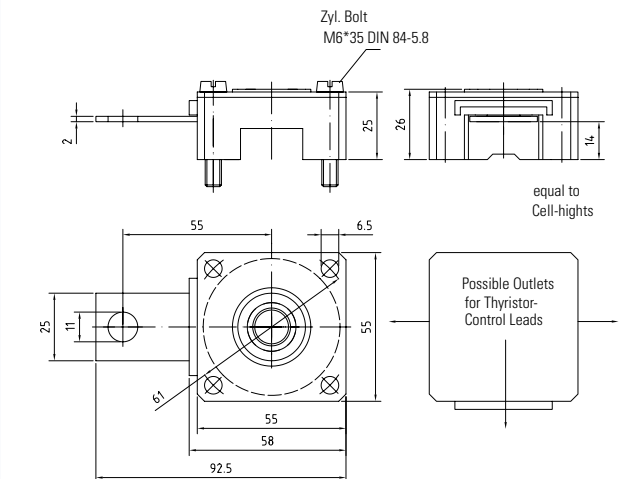
| type designation | ordering code | clamping force [kN] | suitable for Ø [mm] housings | height [mm] | minimum creepage [mm] distance |
|------------------|---------------|---------------------|------------------------------|-------------|--------------------------------|
| V50-14.45N | SP000090625 | 4.5 | 42 | 14 | 11 |
| V50-14.60N | SP000090626 | 6.0 | 42 | 14 | 11 |

V61..M



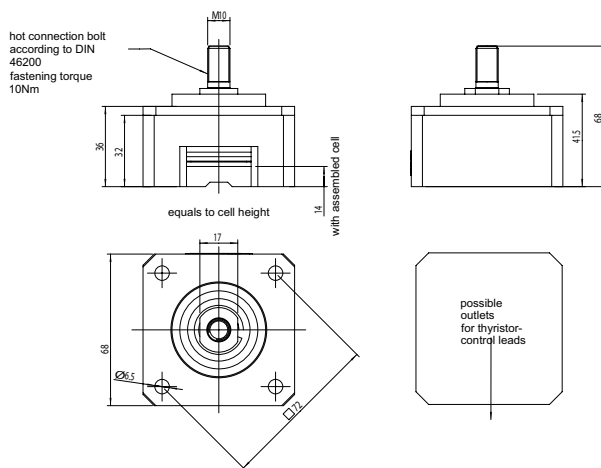
| type designation | ordering code | clamping force [kN] | suitable for Ø [mm] housings | height [mm] | minimum creepage [mm] distance |
|------------------|---------------|---------------------|------------------------------|-------------|--------------------------------|
| V61-14.80M | SP000096565 | 8.0 | 48 | 14 | 11 |

V61..N



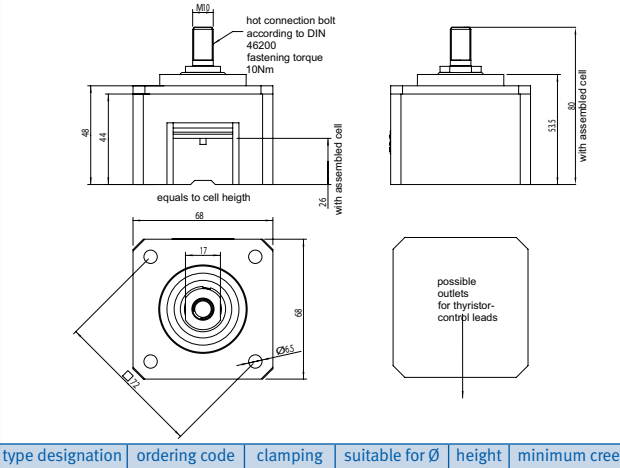
| type designation | ordering code | clamping force [kN] | suitable for Ø [mm] housings | height [mm] | minimum creepage [mm] distance |
|------------------|---------------|---------------------|------------------------------|-------------|--------------------------------|
| V61-14.80N | SP000090627 | 8.0 | 48 | 14 | 11 |

V72-14..M



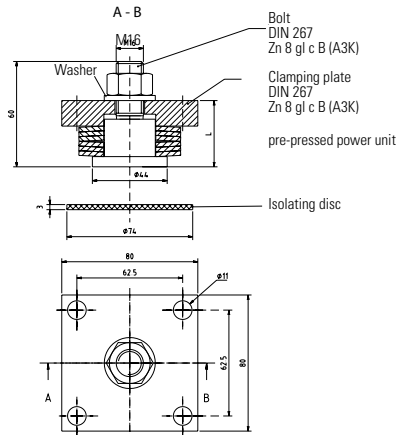
| type designation | ordering code | clamping force [kN] | suitable for Ø [mm] housings | height [mm] | minimum creepage [mm] distance |
|------------------|---------------|---------------------|------------------------------|-------------|--------------------------------|
| V72-14.150M | SP000096566 | 15.0 | 58 | 14 | 11 |

V72-26..M



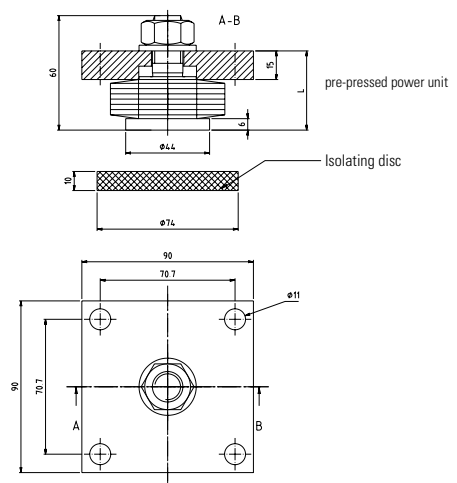
| type designation | ordering code | clamping force [kN] | suitable for Ø [mm] housings | height [mm] | minimum creepage [mm] distance |
|------------------|---------------|---------------------|------------------------------|-------------|--------------------------------|
| V72-26.80M | SP000096569 | 8.0 | 58 | 26 | 23 |
| V72-26.120M | SP000096567 | 12.0 | 58 | 26 | 23 |
| V72-26.150M | SP000096568 | 15.0 | 58 | 26 | 23 |

V 89



| type designation | ordering code | clamping force [kN] | suitable for housings | |
|------------------|---------------|---------------------|-----------------------|-------------|
| | | | Ø [mm] | height [mm] |
| V89-26.170N | SP000358597 | 17 | 75 | 26 |
| V89-26.300N | SP000090624 | 30 | 75 | 26 |
| V89-26.400N | SP000090662 | 40 | 75 | 26 |

V 100



| type designation | ordering code | clamping force [kN] | suitable for housings | |
|------------------|---------------|---------------------|-----------------------|-------------|
| | | | Ø [mm] | height [mm] |
| V100-35.200N | SP000090635 | 20 | 75 | 26 |